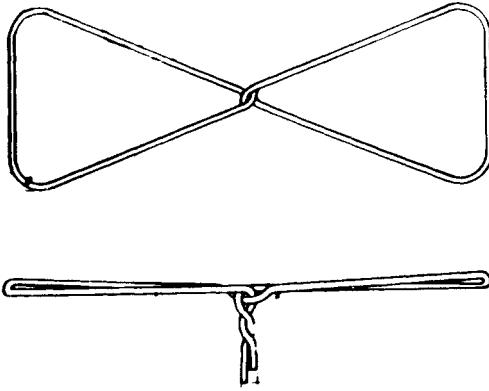


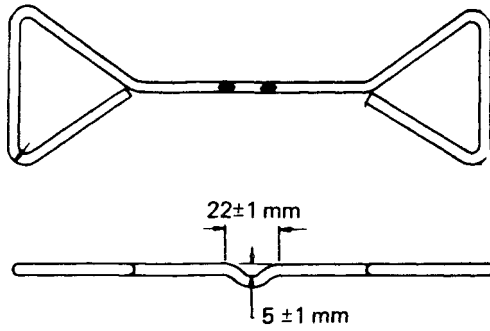
|  |   |  |   |              |
|--|---|--|---|--------------|
| L2 Foul drainage (continuous contact with masonry) | Engineering bricks, FL, FN, ML or MN in (i) | Class 7 in (ii) (see remarks)                  | $\geq 40 \text{ N/mm}^2$ with cement content $\geq 350 \text{ kg/m}^3$ in (i) or (ii) | Not suitable |
| L3 Foul drainage (occasional contact with masonry) | Engineering bricks, FL, FN, ML or MN in (i) | Classes 3 to 7 in (ii) and (iii) (see remarks) | $\geq 40 \text{ N/mm}^2$ with cement content $\geq 350 \text{ kg/m}^3$ in (i) or (ii) | Not suitable |

---

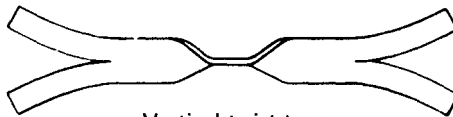
<sup>a</sup>The numbers (i) to (iv) refer to mortar designations in Table 2.6. The classes 2 to 7 are described in Table 2.3. The clause numbers in **bold** in the 'Remarks' refer to BS 5628.



Butterfly type wall ties



Double triangle type wall tie



Vertical twist type

Fig. 2.6 Metal wall ties suitable for cavity walls.